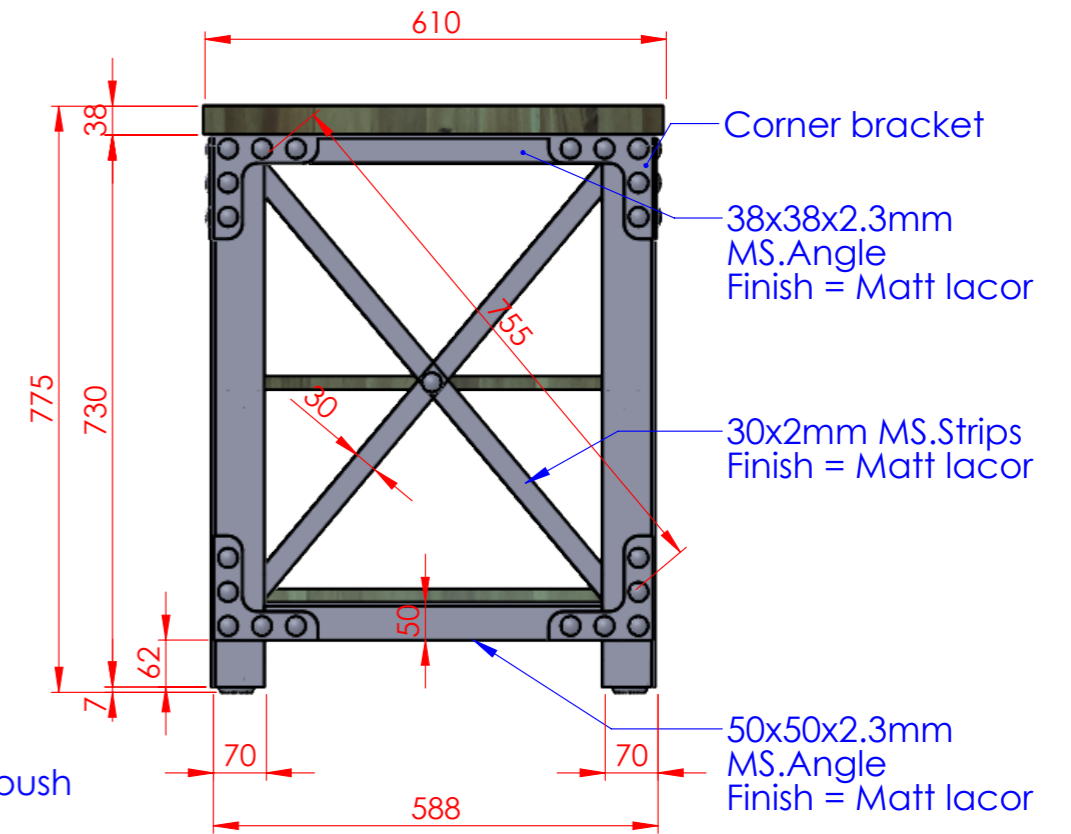
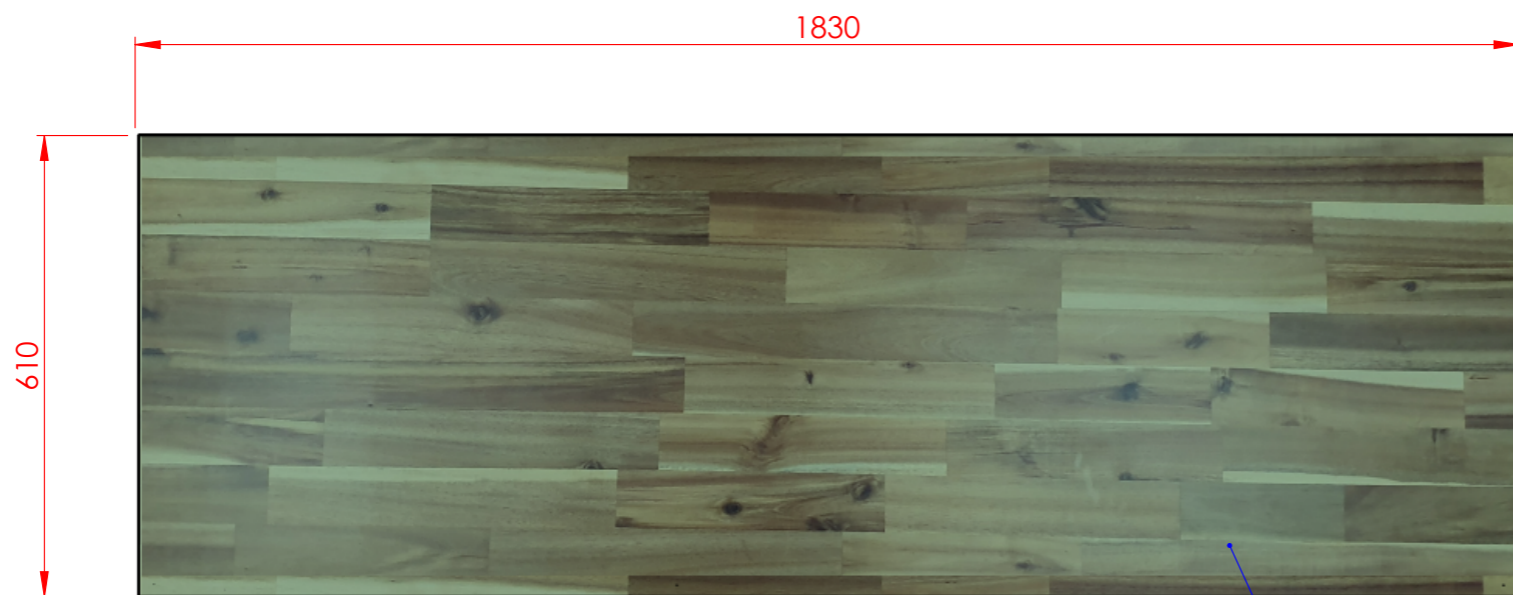


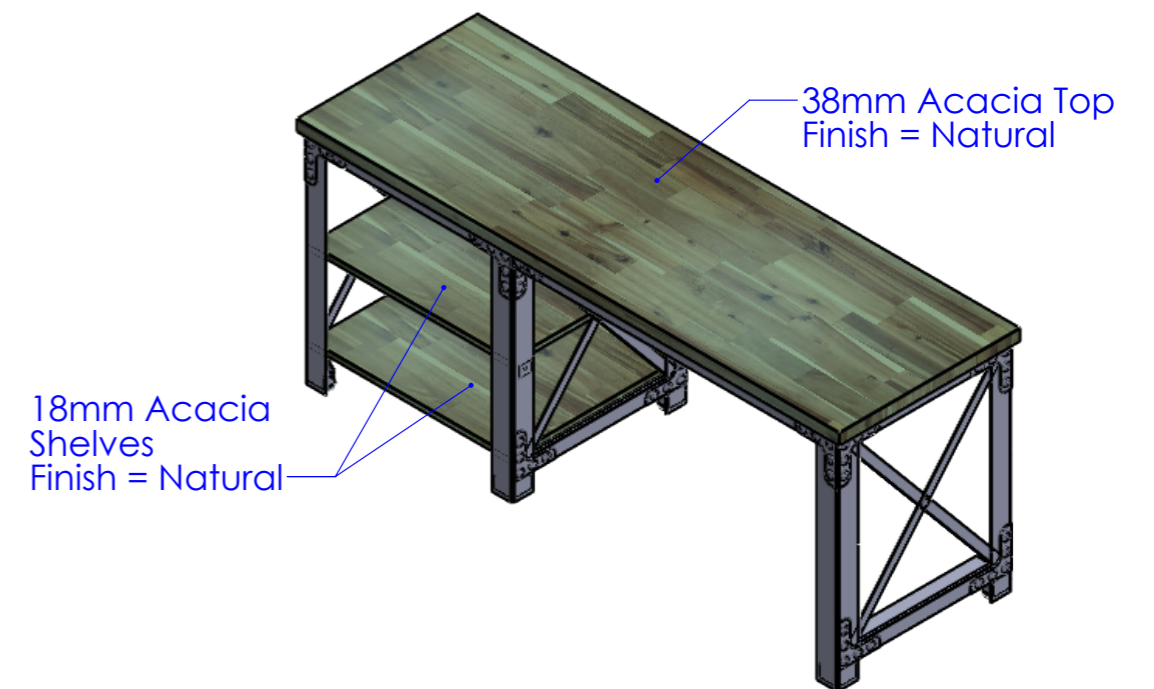
Front View



Side View



Top View



DRAWN	Tahir	SHEET THK.:	-NA-	WEIGHT:	-----	S. AREA:	7105367.73mm <sup>2</sup>
CHECKED	Harout k	MAT.:	Metal / Acacia Wood	FINISH:	Metal=Matt Lacor Wood= Natural		
APPROVED	Harout k	TITLE: <b>72" Industrial metal &amp; wood desk with shelves</b>					
DATE	13/05/2020						
DWG. NO.	WTLS 72 000	PRODUCT:	Work Table with Shelves 72"	MODEL:	1830x610x775mm		
General Tolerance : ± 0.1 mm		P.O. Box 474039, Jabel Ali, Dubai Investment Park - 1, Dubai (United Arab Emirates) Tel: 04-8841650 Fax: 04-8841934				SHEET 1 OF 11	
COLOUR		<small>ALL DIMENSIONS ARE IN MILLIMETERS AND ALL BEND RADII TO BE MIN. R AT 90° BEND, UNLESS SPECIFIED OTHERWISE</small>				SCALE	REV.
QUANTITY		<small>THIS DRAWING IS THE PROPERTY OF TSSC, NOT TO BE REPRODUCED AS A PART OR WHOLE WITHOUT PRIOR CONSENT OF TSSC</small>				N.T.S.	00